

# IES 4427 LED Head



PRELIMINARY SHORTFORM DATA

LED SyncLamp for High-Speed Video.

- ☺ **Output 28 000 lm**
- ☺ **Illumination angle 120°**
- ☺ **Light weight 0.1 kg**
- ☺ **Small dimensions, diameter 77 mm x 25 mm**



**IES** Ingenieurbüro für Elektronikentwicklung und Spezialgerätebau

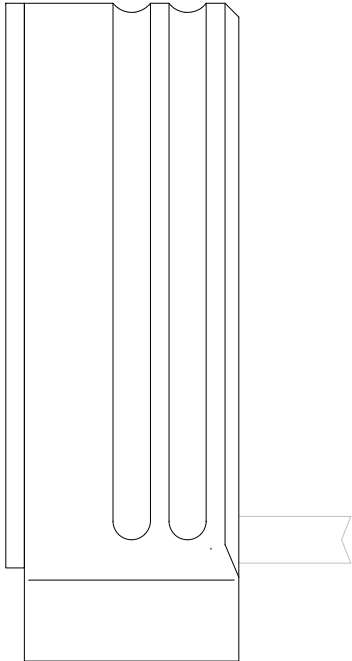
Postanschrift  
In den Waashainen 2  
D-38108 Braunschweig

FON +49 531 701273-0  
FAX +49 531 701273-19

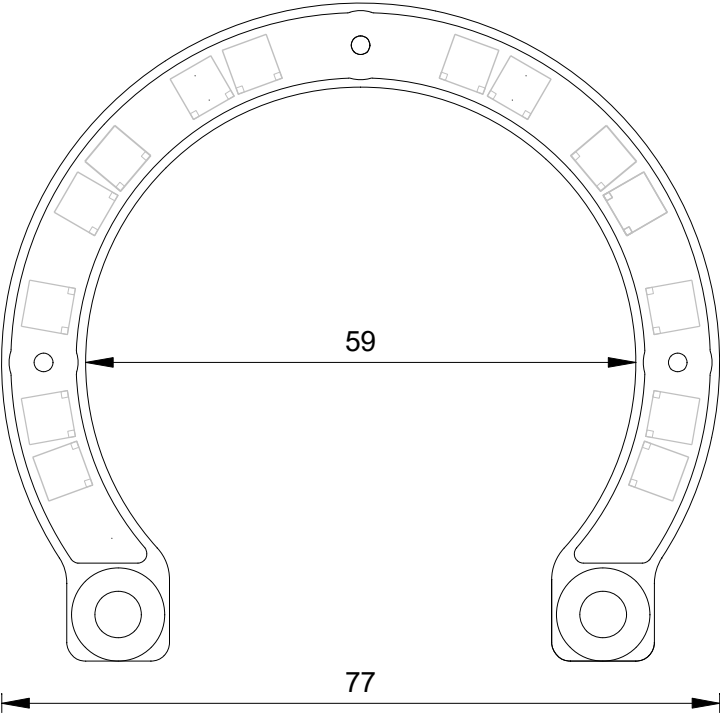
Bankverbindung Postbank Hannover  
BLZ 250 100 30, Konto 905 693 302  
UStIDNr. DE 177335140

# Mount information

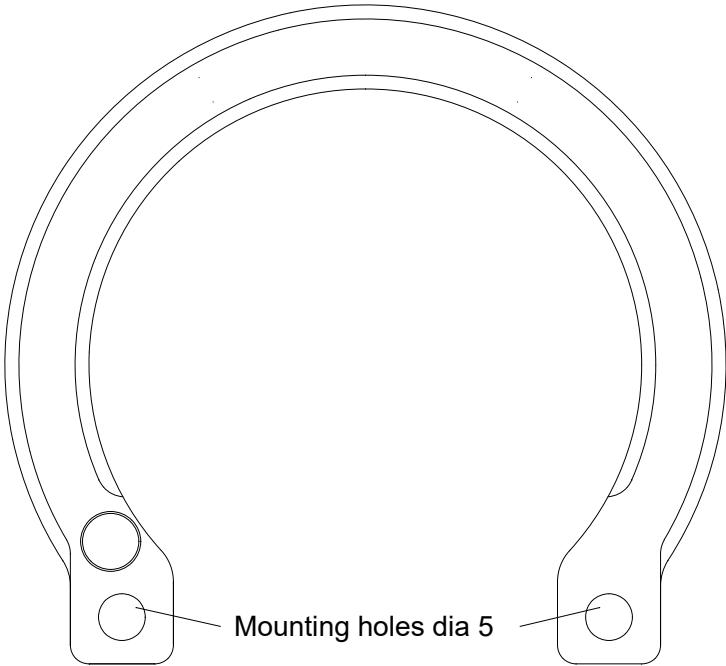
Side View



Front View



Back View



## Specifications

Metrics	
Dimensions	Diameter 77 mm x 25 mm
Weight	0.1 kg

Environment	
Temperature range	-20°C ... +70°C
Acceleration	150 g, 15 ms

Electrical Interface	
Connector	Lemo 1B.306
Power	max. 3 A, 50 V

Illumination Parameters	
Illumination angle	120°
Lumen output	28 000 lm
Color temperature	6500 K (daylight)

### Ordering information: IES 4427

Also available:

- IES 4421 LED head 24000 lm
- IES 4422 LED head 12000 lm
- IES 4423 LED head 24000 lm
- IES 4425 LED head 48000 lm
- IES 4426 LED head 28000 lm
- IES 4412 Stationary LED Controller, portable
- IES 4812 Stationary LED Controller for 19" rack mount
- IES 4416 Onbord LED Controller

Information is provided without warranty and is subject to change without notice. We reserve the right to make changes whenever necessary to improve to the product.  
Revision 2019-08